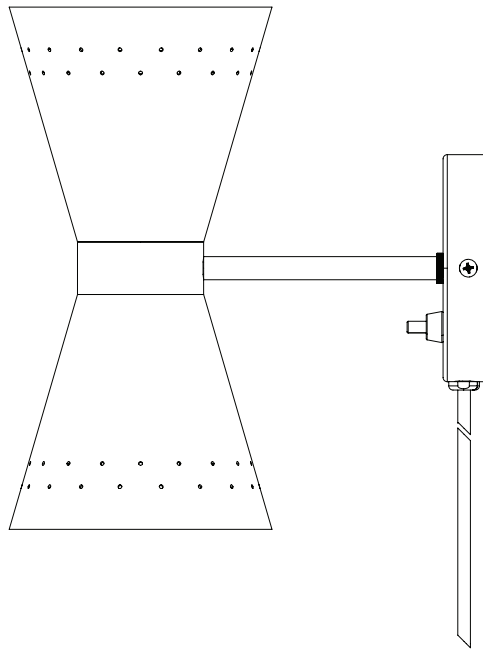


# Collector Wall Lamp

*by Alf Svensson*

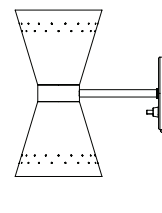


Congratulations with your new Collector Wall Lamp by Alf Svensson. We hope you will enjoy using it.

Please follow these instructions carefully to ensure the safe and correct installation of your new lamp.

---

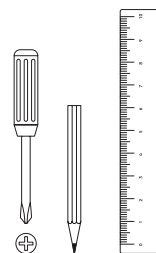
## COMPONENT OVERVIEW



1 x Lamp

---

## TOOLS NEEDED



---

## NOTE

Contact a qualified electrician if you experience any issues during installation. The external flexible cable or cord of this luminaire is damaged, it shall be exclusively replaced by the manufacturer or his service agent or a similar qualified person in order to avoid a hazard.

---

## WARNING

Improper installation, adjustment, alteration, service, maintenance or use can cause personal injury or property damage.

Before installing, always turn off the power for the circuit.

## CAUTION

Keep this product and its packaging out of children's reach.

## DISPOSAL

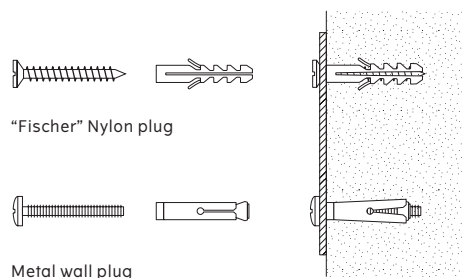
At the end of its life, dispose of this lamp in the correct waste bin or at a recycling station. Do not discard as household waste. Your local authority can provide further information on where and how it can be disposed of.

The EU Waste from Electrical and Electronic Equipment (WEEE) Directive 2005 encourages the recycling of this item.

## IMPORTANT INFORMATION

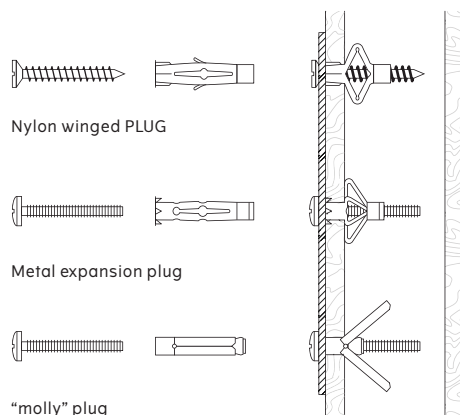
Due to the wide diversity of wall or partition types, we cannot provide you with suitable attachment fixtures. To determine which attachment fixtures to use, you will need to identify the type of wall to which you will be fixing this product. Here are some examples of attachment fixtures recommended for:

### BLIND WALLS



Metal wall plug

### STUDDED WALLS



Nylon winged PLUG

Metal expansion plug

"molly" plug

MENU

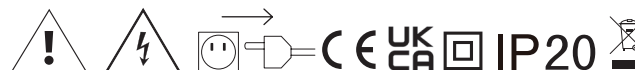
## DRILL

Use a drill bit that is compatible in size with the hardware used and the type of wall.



## TECHNICAL SPECIFICATIONS

GU10 Socket Tungsten halogen lamp  
Bulb Not included  
Standard: IEC 60598-1:2020 IEC 60598-2-1:2020  
Max 35 W 230V - 50Hz



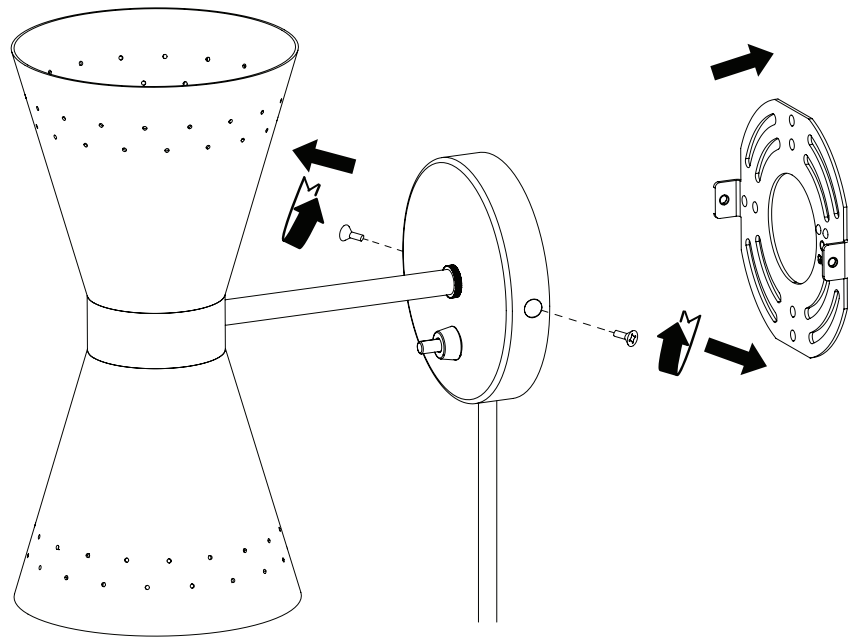
## INSTALLATION

The lamp can be installed in two way:

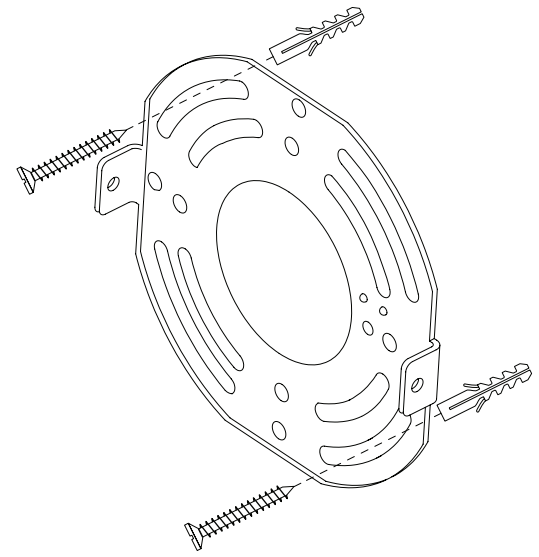
- Using the cord ( go to page 6)
- Hardwired (go to page 10)

1

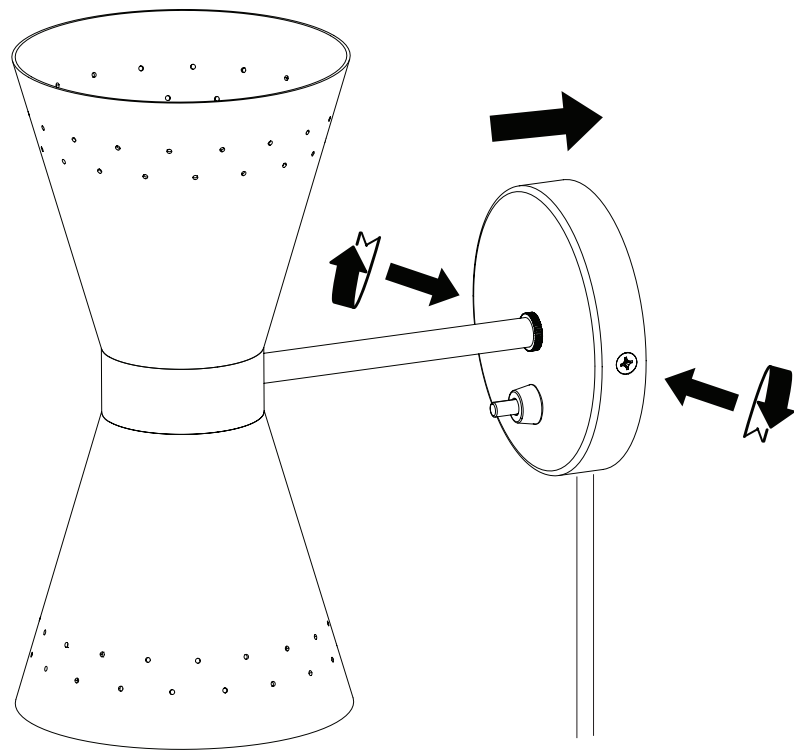
# INSTALLATION WITH CORD



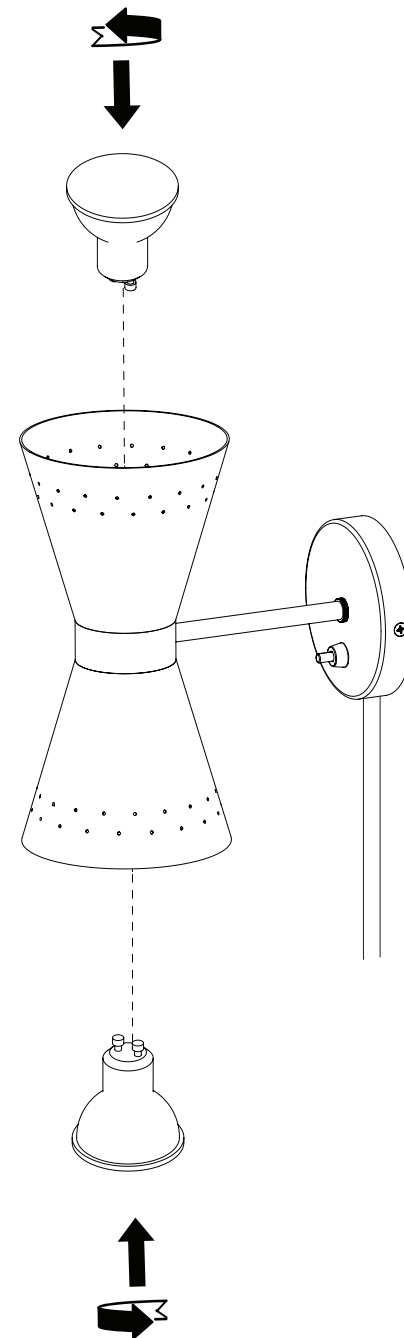
2



3

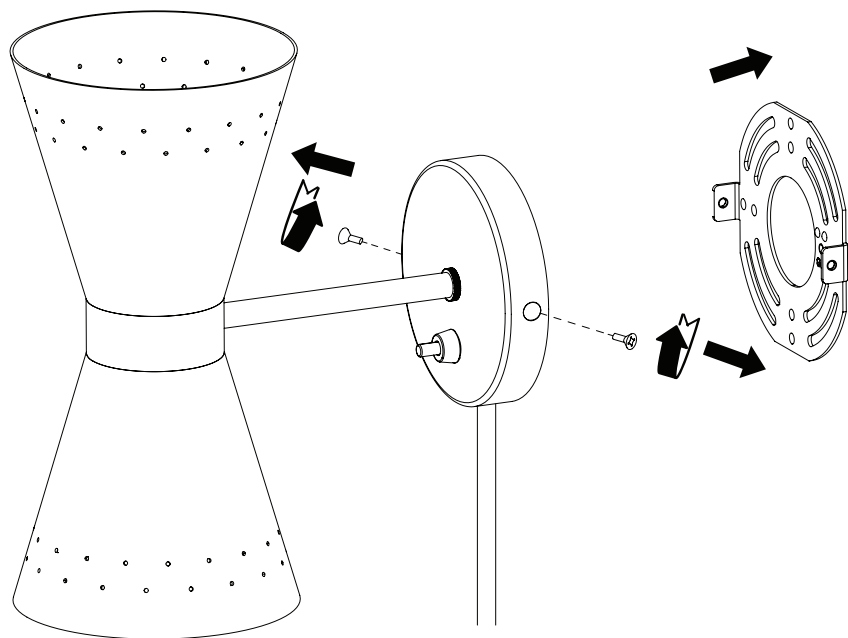


4

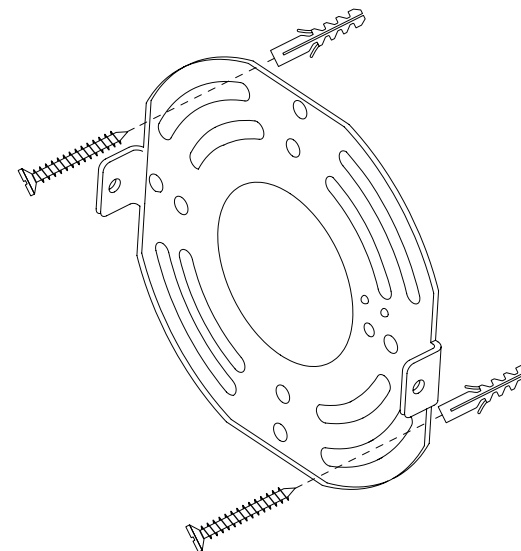


1

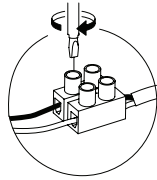
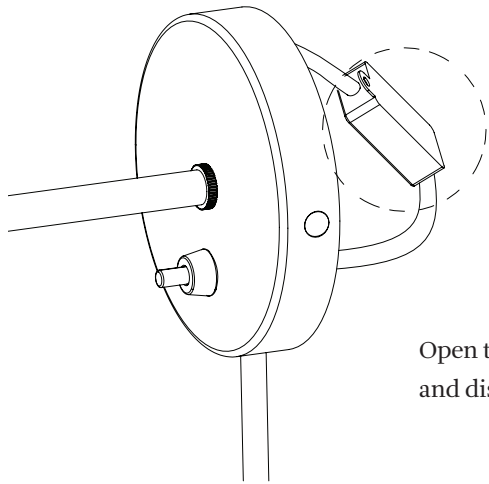
HARDWIRED INSTALLATION



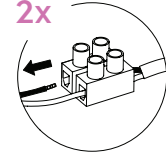
2



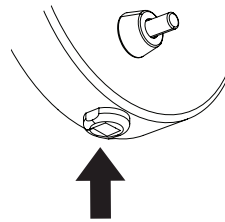
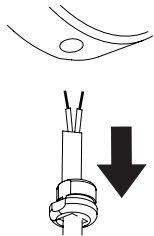
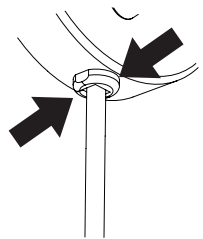
3



2x

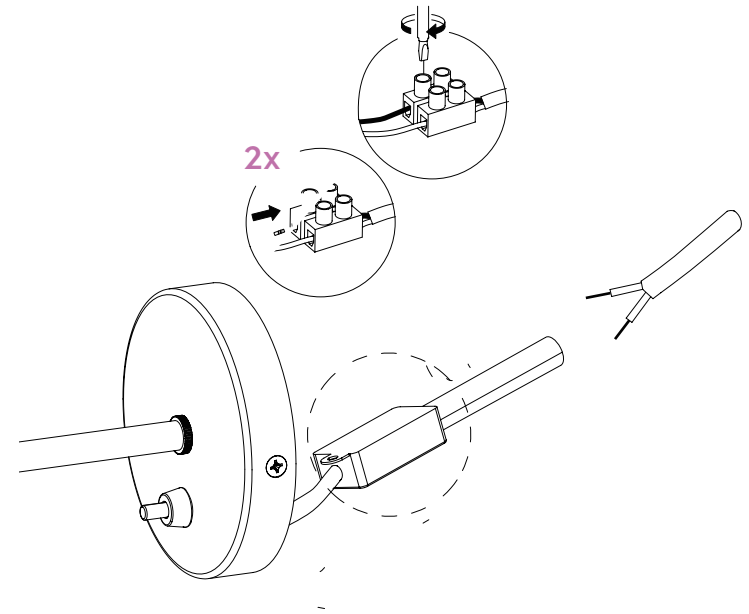


Open the white connection box and disconnect the cord

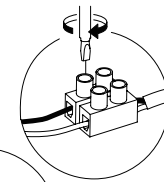
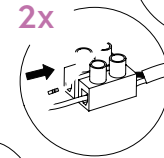


Using some small pliers push the cable retainer and extract it with the cord. Put back in place the cable retainer

4

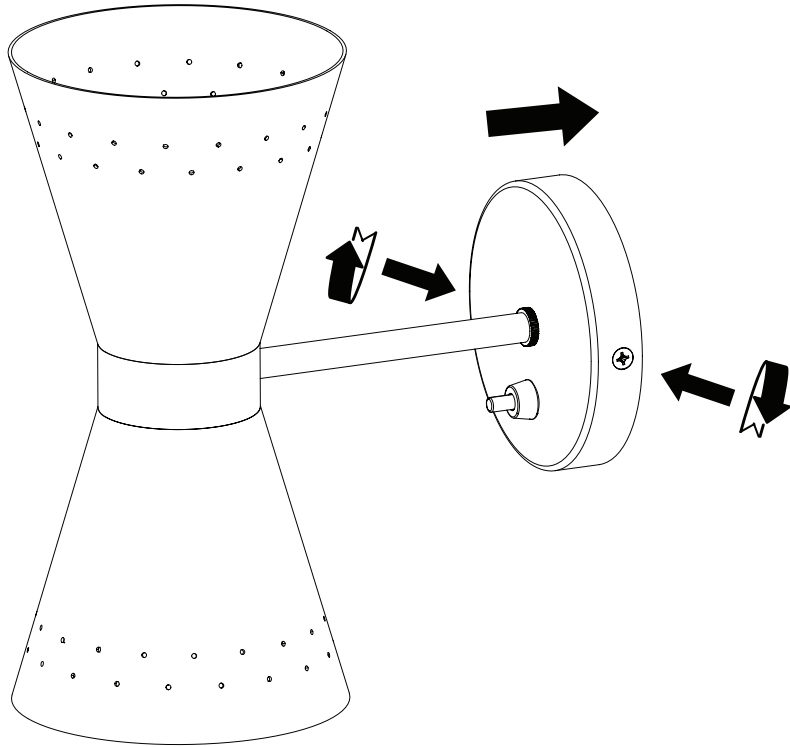


2x



After the wire is fixed, the mouse tail of the terminal is inserted into the wiring box

5



6

